



TCA Lifting Limited
'Specialist Cranes & Access'

SPX1040



4000 Kg



5380x1450x2030



23,5 m



14,6 m



Radio Remote Control

- Large display
- Proportional radio remote control with two batteries
- Crane and crawl control

Three different JIB

- 600 Kg Hydraulic flying JIB
- 1.000 Kg Lattice flying JIB
- 3.500 Kg Searcher hook



Hydraulic Vacuum and Grabber Manipulator

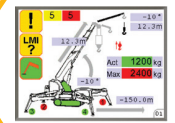
- 800 Kg radio-controlled vacuum manipulator
- 300 Kg pipe and beam manipulator

Limitless
360°
rotation



Electronic LMI

- Load and moment indicator
- Diagnostic troubleshooting
- Friendly display with all the information
- Full safety respect EN13000



Virtual Wall

Anti-collision system with acquisition of the working area



Hook & Pulley

JIB working with hook or pulley mode

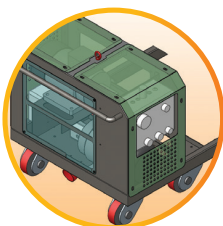
Pick & Carry

2 tons 360°
rotating pick
& carry capacity



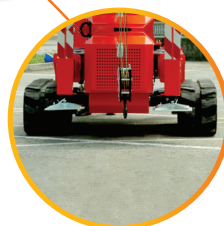
Power Pack

External three-phase power pack

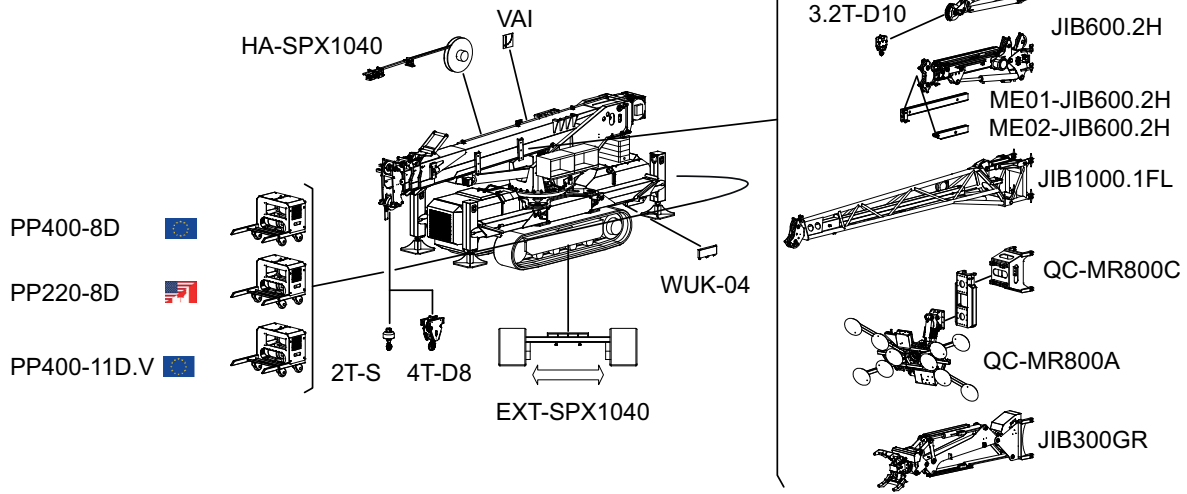


Extendable Tracks

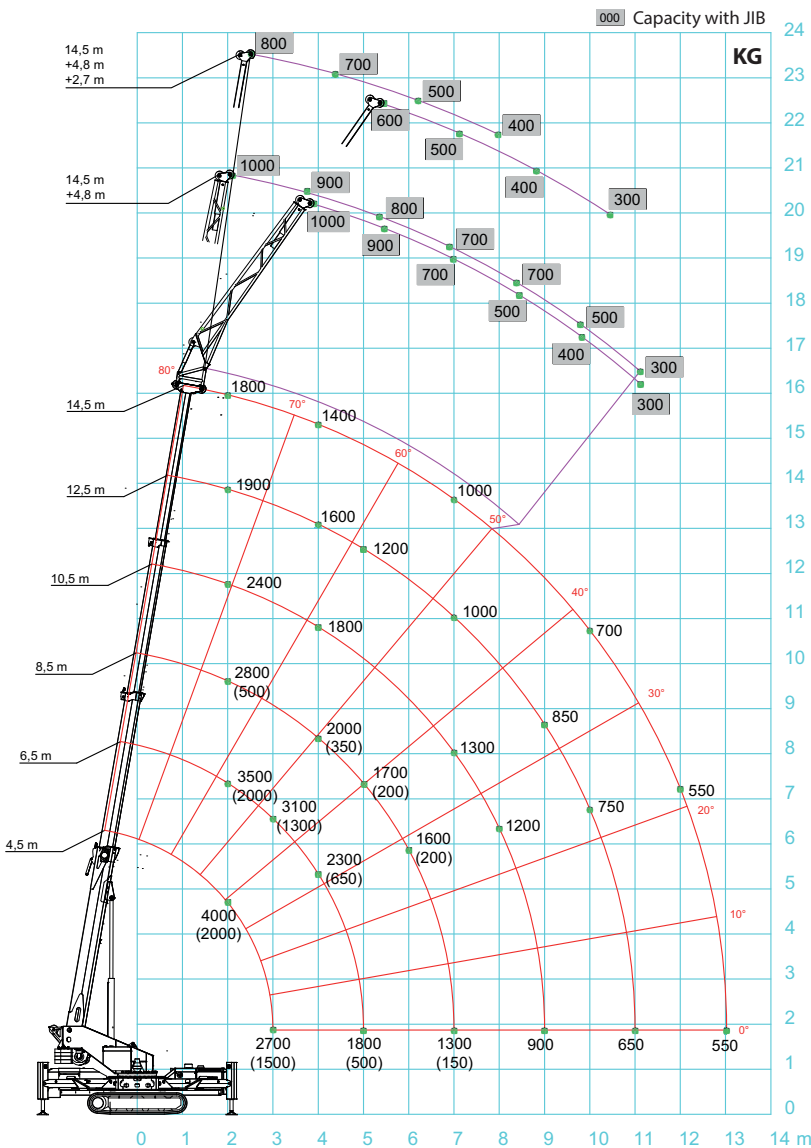
Independent extendable tracks to increase steering and 360° pick & carry



Crane Options



Load Chart



*Manual extension available (stinger)

Technical Info



SPX 1040 CDH EXT TRACKS



5380 x 1450 x 2030 mm
5300 x 2050 x 1970 mm



4170 x 4170 mm

	kg		
	SPX1040CDH	5600	
	SPX1040CDH	6300	
	/	760	
	4T-D8	40	
	PP400-8D PP220-8D PP400-11DV	110	
	JIB3500G	60	
	JIB600.2H*	210	
	JIB1000.1FL	265	
	MR800.4	295	
	ISUZU 3CB1		
	ISUZU 3CE1		
	3	kW	18,7kW 25,0Hp
	3	kW	26,9kW 36,0Hp

