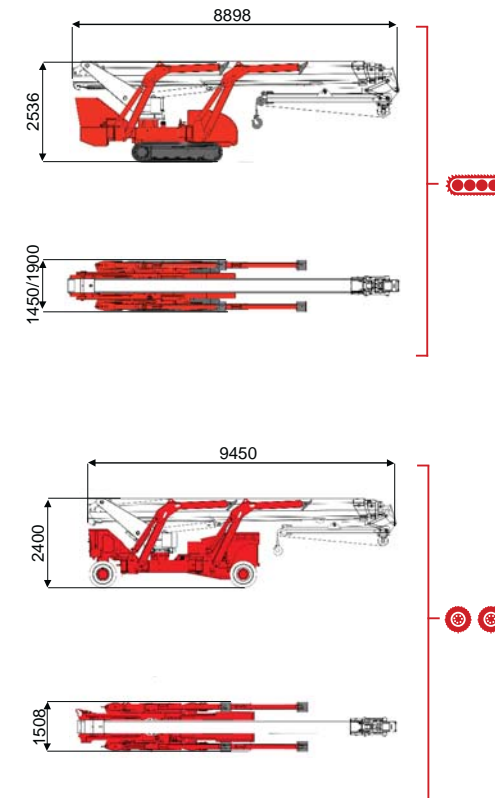
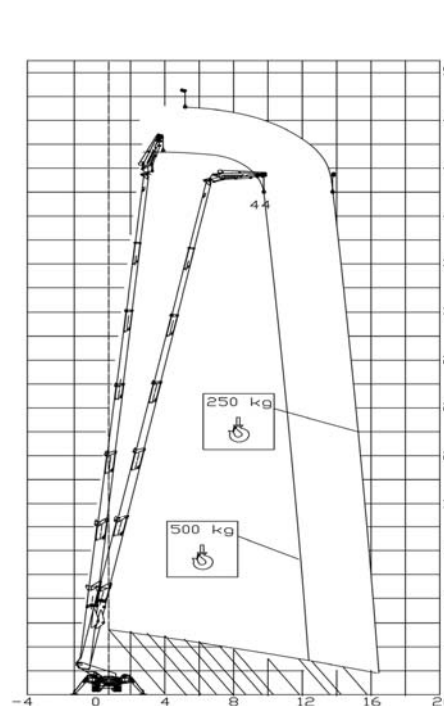




49 m ↑
16,5 m →
500 Kg ⚙️



BI-ENERGY
Diesel+AC



XTJ 52/C		49 m	16,5 m	500 kg	660°	5 m	20%	40%	1,5 km/h	14000 kg	95 kN	4,19 kN/m ²	6,55 kN/m ²	1450/1900 mm	8898 mm	2536 mm
XTJ 52/R		49 m	16,5 m	500 kg	660°	5 m	20%	25%	1,4 km/h	13000 kg	95 kN	3,90 kN/m ²	6,09 kN/m ²	1508 mm	9450 mm	2400 mm



Battery type



Battery charge



Add. Weight



Autonomy



Charging time

Electropump

ECO	DC+AC		48V 270 A/h 5h	230V-48V 45A	400 kg	6-7 h endless	7h	48V 9kW
-----	-------	--	----------------	--------------	--------	---------------	----	---------

TCA Lifting Ltd
Unit 4, Derby Dell Buildings, Lasham
Hampshire. GU34 5RX United Kingdom
Tel. (+44) 0845 603 5360
info@tcalifting.com
www.tcalifting.com

